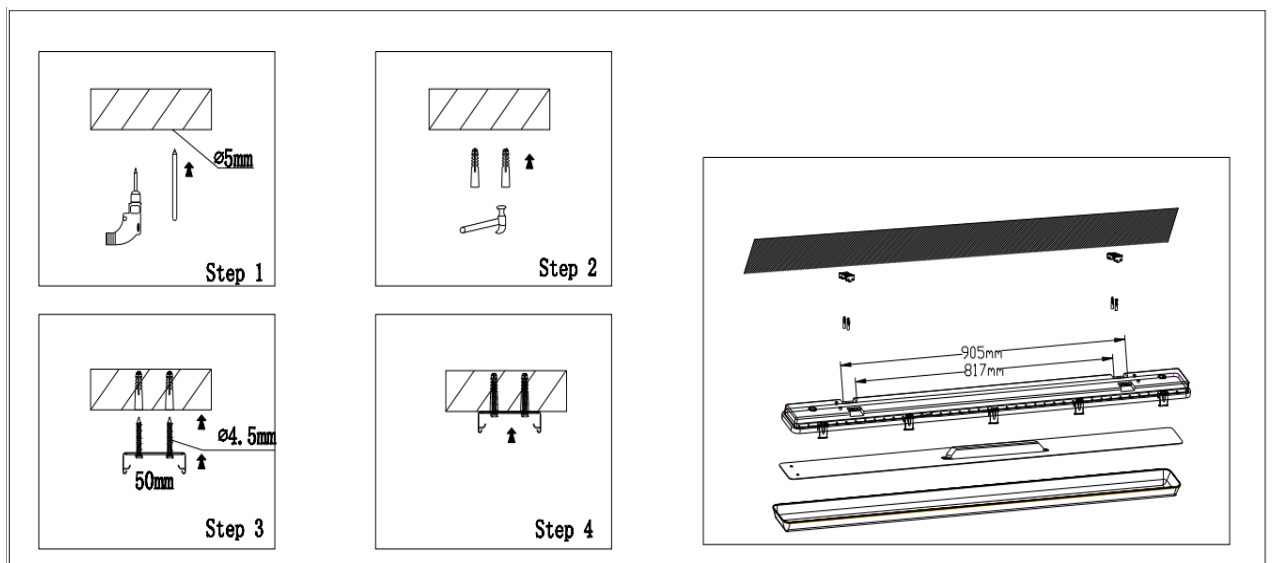


Tri-proof Fixture installation guide

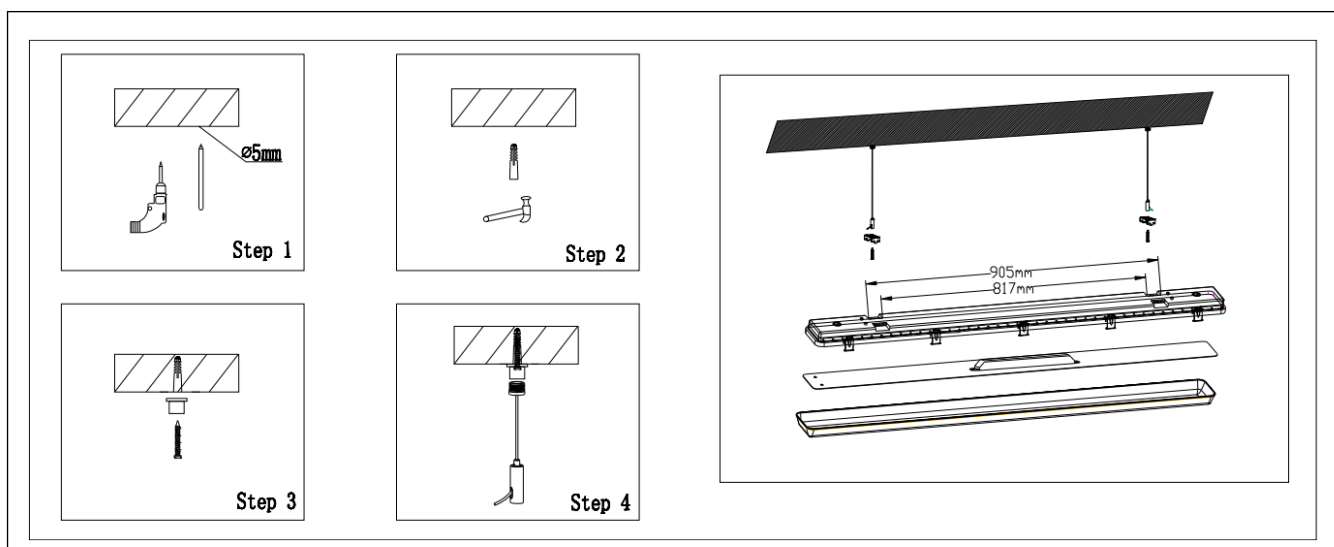
Warning:

- Turn power off before inspection, installation or removal.
- Properly ground electrical enclosure
- Make sure all install firmly.
- After installation cannot open the luminaries for cleaning and maintain.
- Use only IEC approved wire for input/output connections. Minimum size 0.75mm²

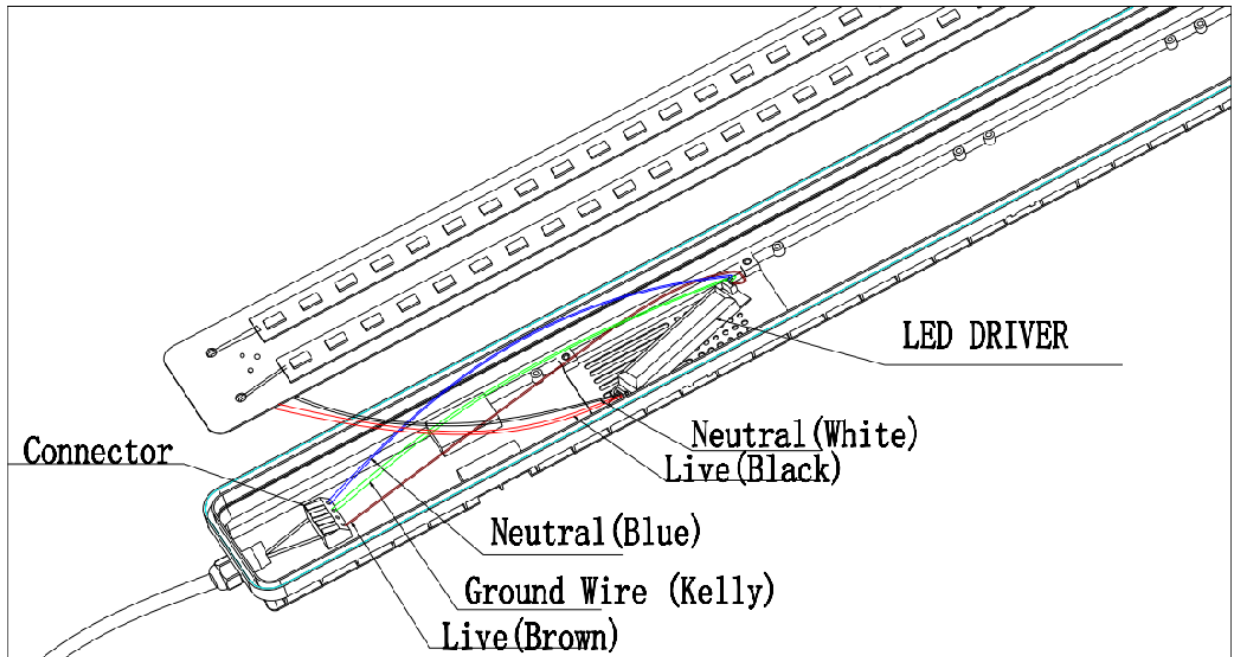
Installation A: Surface Mounting Option



Installation B: Suspended Mounting Option



Wiring :



Continuous installation (Connect 20-30 units max):

